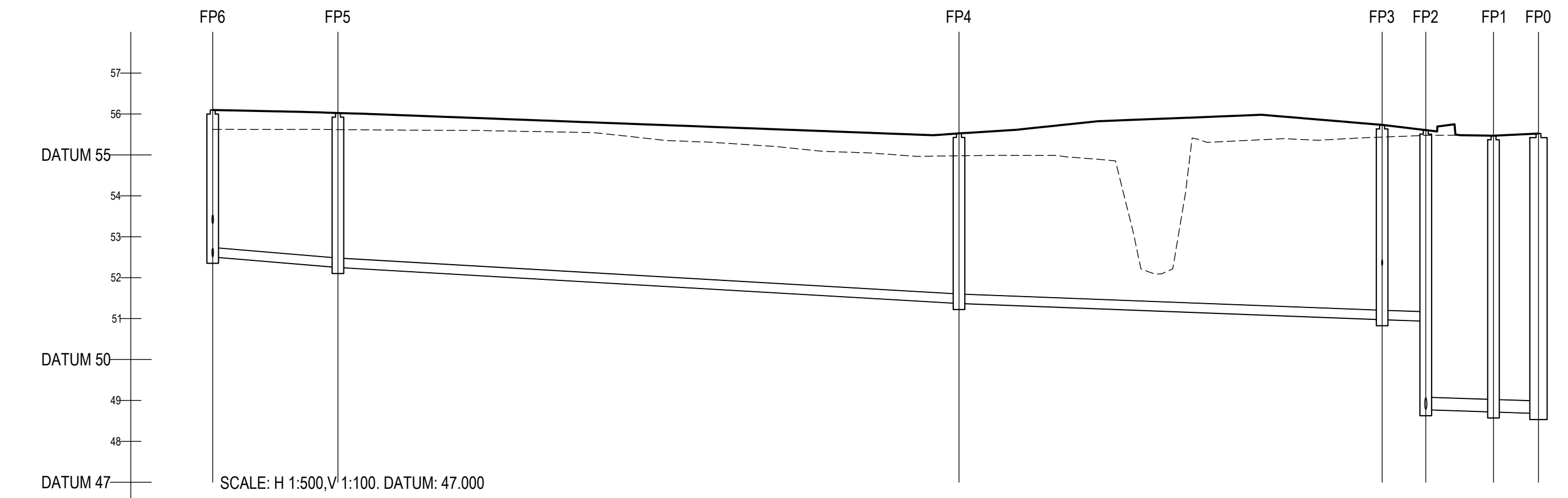
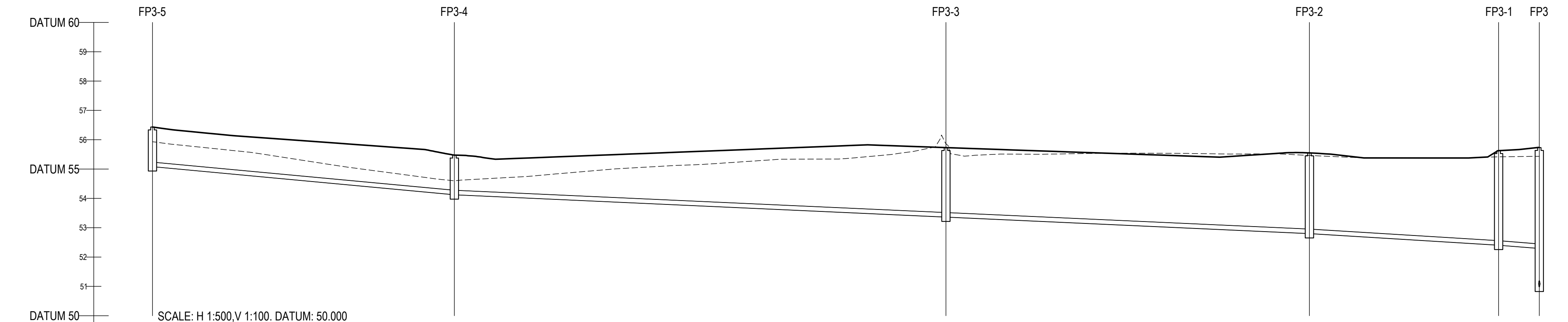


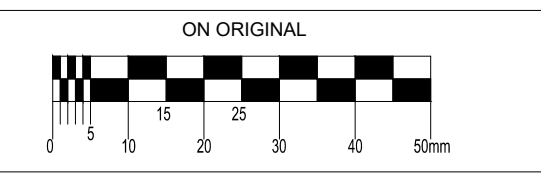
	FP13	FP12	FP11	FFFP9	FP8	FP7	FP6
COVER LEVEL	55.485	55.594	55.478	55.723 55.728	55.823	56.035	56.088
INVERT LEVEL	54.335	54.163	53.857	53.338 53.348 53.267	52.957	52.538	52.502
DEPTH (m)	1.150	1.431	1.640	2.415 2.351	2.966	3.497	3.586
DISTANCE (m)	18.91	48.90	75.35	60	69.87	71.53	7.28
PIPE SLOPE	1:110	1:150	1:151	1:188	1:194	1:199	1:200
PIPE SIZE	150mm	150mm	150mm	150mm	225mm	225mm	225mm



	FP6	FP5	FP4	FP3	FP2	FP1	FP0
COVER LEVEL	55.098	55.023	55.527	55.734	55.806	55.470	55.523
INVERT LEVEL	52.508	52.252	51.372	50.975	50.939	48.720	48.683
DEPTH (m)	3.590	3.771	4.155	4.759	6.831	6.750	6.839
DISTANCE (m)	15.29	75.83	51.67	5.33	8.27	5.49	
PIPE SLOPE	1:60	1:86	1:130	1:148	1:150	1:150	
PIPE SIZE	225mm	225mm	225mm	225mm	300mm	300mm	



	FP3-5	FP3-4	FP3-3	FP3-2	FP3-1	FP3
COVER LEVEL	56.424	55.475	55.721	55.550	55.627	55.734
INVERT LEVEL	55.084	54.125	53.384	52.801	52.405	52.284
DEPTH (m)	1.340	1.350	2.387	2.749	3.222	4.759
DISTANCE (m)	51.43	83.74	61.93	32.23	6.93	
PIPE SLOPE	1:54	1:110	1:110	1:81	1:62	
PIPE SIZE	150mm	150mm	150mm	150mm	150mm	



© COPYRIGHT OF THIS DRAWING IS RESERVED BY DBFL CONSULTING ENGINEERS. NO PART SHALL BE REPRODUCED OR TRANSMITTED WITHOUT THEIR WRITTEN PERMISSION.  
NO CHANGES OF WHATSOEVER NATURE ARE TO BE MADE TO ANY DETAILS SET OUT OR CONTAINED IN ANY DBFL SPECIFICATIONS OR DRAWINGS UNLESS THE EXPRESS CONSENT HAS BEEN OBTAINED IN ADVANCE, IN WRITING, FROM DBFL.

- NOTES:
- ALL DRAWINGS TO BE CHECKED BY CONTRACTOR ON SITE AND ENGINEER INFORMED OF DISCREPANCIES BEFORE WORK COMMENCES
  - ALL LEVELS ARE IN METRES AND ARE RELATED TO ORDNANCE DATUM
  - CONTRACTOR SHALL SATISFY HIMSELF AS TO THE ACCURACY OF PAVEMENT LEVELS ON SITE PRIOR TO COMMENCEMENT OF WORKS ON SITE
  - ALL WORKS TO BE CONSTRUCTED IN ACCORDANCE WITH THE NRA SPECIFICATION FOR ROAD WORKS UNLESS NOTED OTHERWISE
  - THIS DRAWING IS FOR PLANNING PURPOSES ONLY
  - MANHOLE COVER LEVELS ARE TO CONFORM WITH FINISHED ROAD AND PATH LEVELS
  - WHERE COVER TO PIPE IS LESS THAN 1200mm (ROAD/PATH/VERGE) OR 900mm (OPEN SPACE) SURROUND PIPE IN MINIMUM 150mm CONCRETE

KEY  
 - - - - - EXISTING GROUND PROFILE  
 \_\_\_\_\_ PROPOSED GROUND PROFILE

P03	09-06-22	PLANNING SUBMISSION	DKE	NOH
P02	11-04-22	FOR SODA	PLY	NOH
P01	18-10-21	ISSUED FOR PLANNING	GIS	NOH
rev	date	description	by	chkd.
		A - Approved		
		B - Approved with comments		
		C - Do not use		

client approval  
 suitability S4 - STAGE APPROVAL issue purpose PLANNING



DUBLIN OFFICE: Ormond House, Upper Ormond Quay, Dublin 7, D07 W074  
 PHONE +353 1 450 4000  
 CORK OFFICE: 14 South Mall, Cork, T12 CT91  
 PHONE +353 21 2024538  
 WATERFORD OFFICE: 50a-52 The Arcade, Maritime Gate, Canada Street, Waterford, X91 W028  
 PHONE +353 51 309 500

project ref.  
**BALLYOULSTER KDA SHD - PHASE 1  
 RESIDENTIAL DEVELOPMENT**  
 drawing title  
**FOUL NETWORK LONGSECTION -  
 SHEET 1**

client **KIERAN CURTIN, RECEIVER OVER  
 CERTAIN ASSETS OF MAPLEWOOD  
 DEVELOPMENTS UNLIMITED  
 COMPANY**

designed by	author	scale	sheet size
PLY	PLY	AS SHOWN	A1
drawing no.	revision		
180221-DBFL-FW-SP-M2-C-3100	P03		