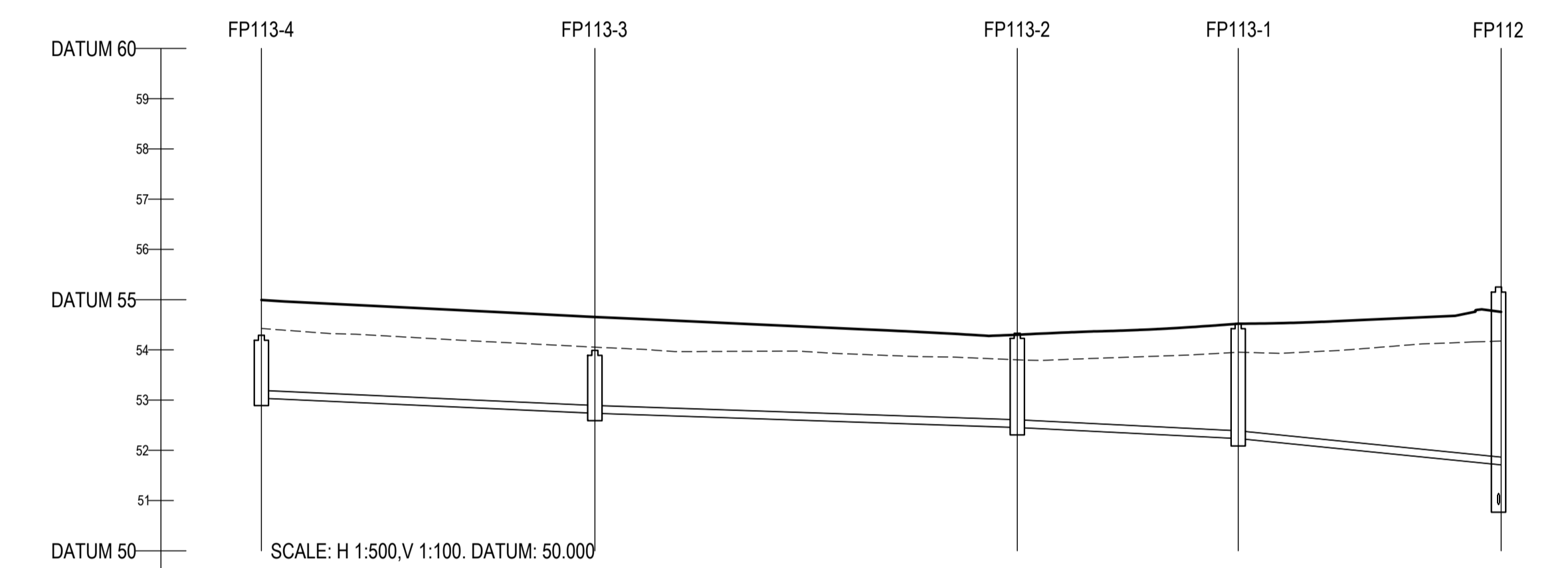
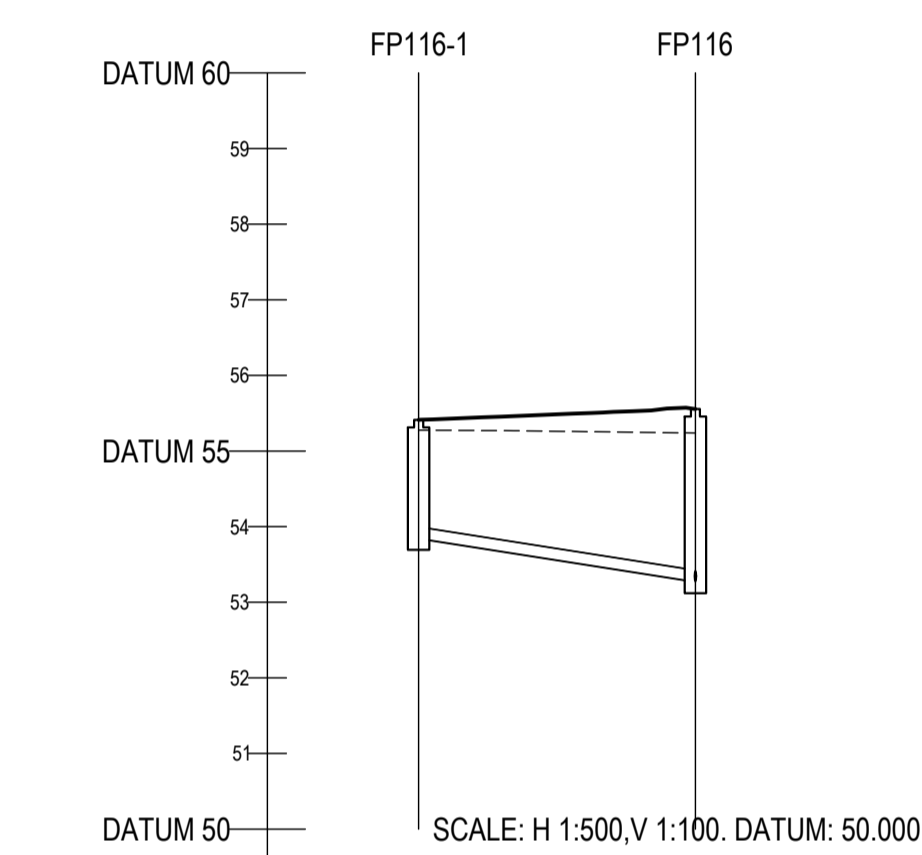


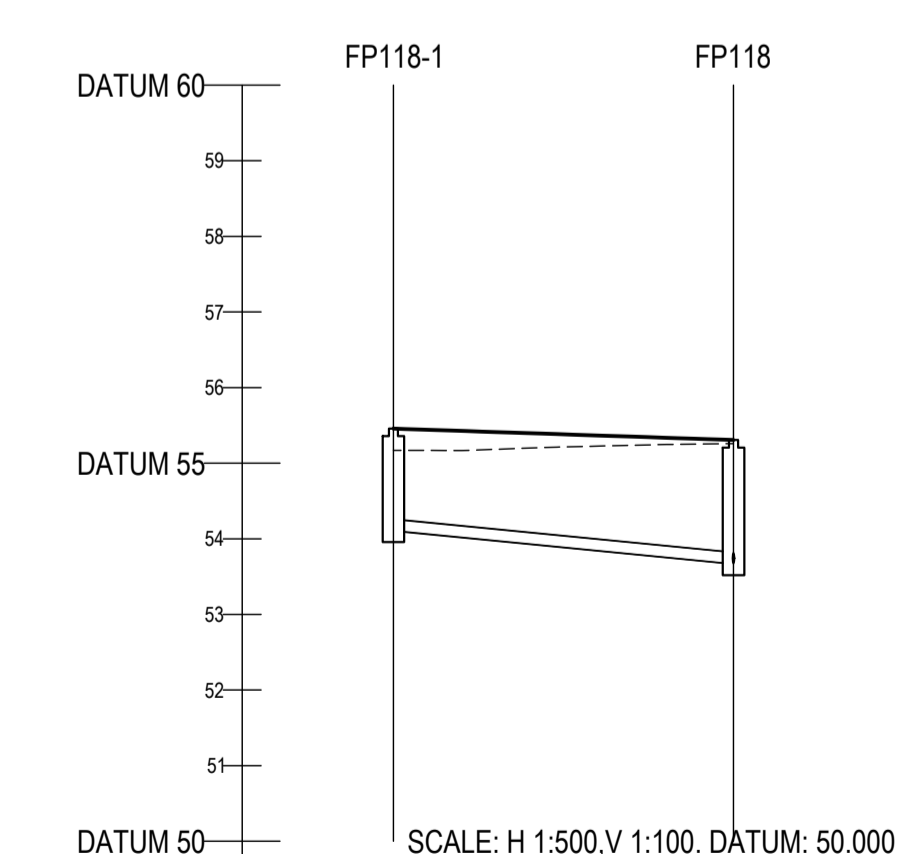
	FP102-6	FP102-5	FP102-4	FP102-3	FP102-2	FP102-1	FP102
COVER LEVEL	57.969	56.788	56.592	57.182	56.429	56.114	56.053
INVERT LEVEL	56.219	55.438	55.105	54.681	53.548	53.240	50.761
DEPTH (m)	1.350	1.350	1.487	2.501	2.881	5.174	7.031
DISTANCE (m)		43.19	24.61	59.40	61.41	24.61	14.35
PIPE SLOPE		1:55	1:74	1:140	1:150	1:80	1:80
PIPE SIZE		150mm	150mm	150mm	150mm	150mm	150mm



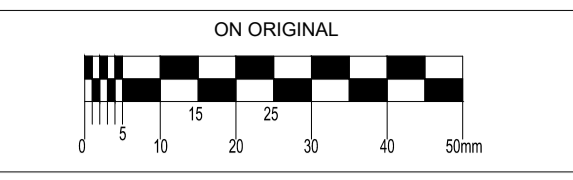
	FP113-4	FP113-3	FP113-2	FP113-1	FP112
COVER LEVEL	54.250	53.990	54.329	54.521	55.250
INVERT LEVEL	53.040	52.740	52.456	52.236	51.712
DEPTH (m)	1.250	1.250	1.873	2.285	4.332
DISTANCE (m)		33.19	42.05	21.99	26.18
PIPE SLOPE		1:111	1:148	1:100	1:50
PIPE SIZE		150mm	150mm	150mm	150mm



	FP116-1	FP116
COVER LEVEL	55.412	55.557
INVERT LEVEL	53.844	53.270
DEPTH (m)	1.588	2.287
DISTANCE (m)		18.31
PIPE SLOPE		1:32
PIPE SIZE		150mm



	FP118-1	FP118
COVER LEVEL	55.457	55.306
INVERT LEVEL	54.107	53.688
DEPTH (m)	1.350	1.638
DISTANCE (m)		22.49
PIPE SLOPE		1:51
PIPE SIZE		150mm



© COPYRIGHT OF THIS DRAWING IS RESERVED BY DBFL CONSULTING ENGINEERS. NO PART SHALL BE REPRODUCED OR TRANSMITTED WITHOUT THEIR WRITTEN PERMISSION.
 NO CHANGES OF WHATSOEVER NATURE ARE TO BE MADE TO ANY DETAILS SET OUT OR CONTAINED IN ANY DBFL SPECIFICATIONS OR DRAWINGS UNLESS THE EXPRESS CONSENT HAS BEEN OBTAINED IN ADVANCE, IN WRITING, FROM DBFL.

- NOTES:
- ALL DRAWINGS TO BE CHECKED BY CONTRACTOR ON SITE AND ENGINEER INFORMED OF DISCREPANCIES BEFORE WORK COMMENCES
 - ALL LEVELS ARE IN METRES AND ARE RELATED TO ORDNANCE DATUM
 - CONTRACTOR SHALL SATISFY HIMSELF AS TO THE ACCURACY OF PAVEMENT LEVELS ON SITE PRIOR TO COMMENCEMENT OF WORKS ON SITE
 - ALL WORKS TO BE CONSTRUCTED IN ACCORDANCE WITH THE NRA SPECIFICATION FOR ROAD WORKS UNLESS NOTED OTHERWISE
 - THIS DRAWING IS FOR PLANNING PURPOSES ONLY
 - MANHOLE COVER LEVELS ARE TO CONFORM WITH FINISHED ROAD AND PATH LEVELS
 - WHERE COVER TO PIPE IS LESS THAN 100mm (ROAD/PATH/VERGE) OR 900mm (OPEN SPACE) SURROUND PIPE IN MINIMUM 150mm CONCRETE

KEY
 - - - - - EXISTING GROUND PROFILE
 _____ PROPOSED GROUND PROFILE

P03	09-06-22	PLANNING SUBMISSION	DKE	NOH
P02	11-04-22	FOR SODA	PLY	NOH
P01	18-10-21	ISSUED FOR PLANNING	GIS	NOH
rev	date	description	by	chkd.
		A - Approved		
		B - Approved with comments		
		C - Do not use		

suitability S4 - STAGE APPROVAL issue purpose PLANNING



DUBLIN OFFICE: Ormond House, Upper Ormond Quay, Dublin 7, D07 W704
 PHONE +353 1 450 4050
 CORK OFFICE: 14 South Mall, Cork, T12 CT91
 PHONE +353 21 2024538
 WATERFORD OFFICE: Suite 10 The Atrium, Maritime Gate, Canada Street, Waterford, X91 W028
 PHONE +353 51 309 500

project ref.

BALLYOULSTER KDA SHD - PHASE 1
 RESIDENTIAL DEVELOPMENT

drawing title
 FOUL NETWORK LONGSECTION - SHEET 4

client KIERAN CURTIN, RECEIVER OVER CERTAIN ASSETS OF MAPLEWOOD DEVELOPMENTS UNLIMITED COMPANY

designed by	author	scale	sheet size
PLY	PLY	AS SHOWN	A1
drawing no.		revision	
180221-DBFL-FW-SP-M2-C-3103		P03	