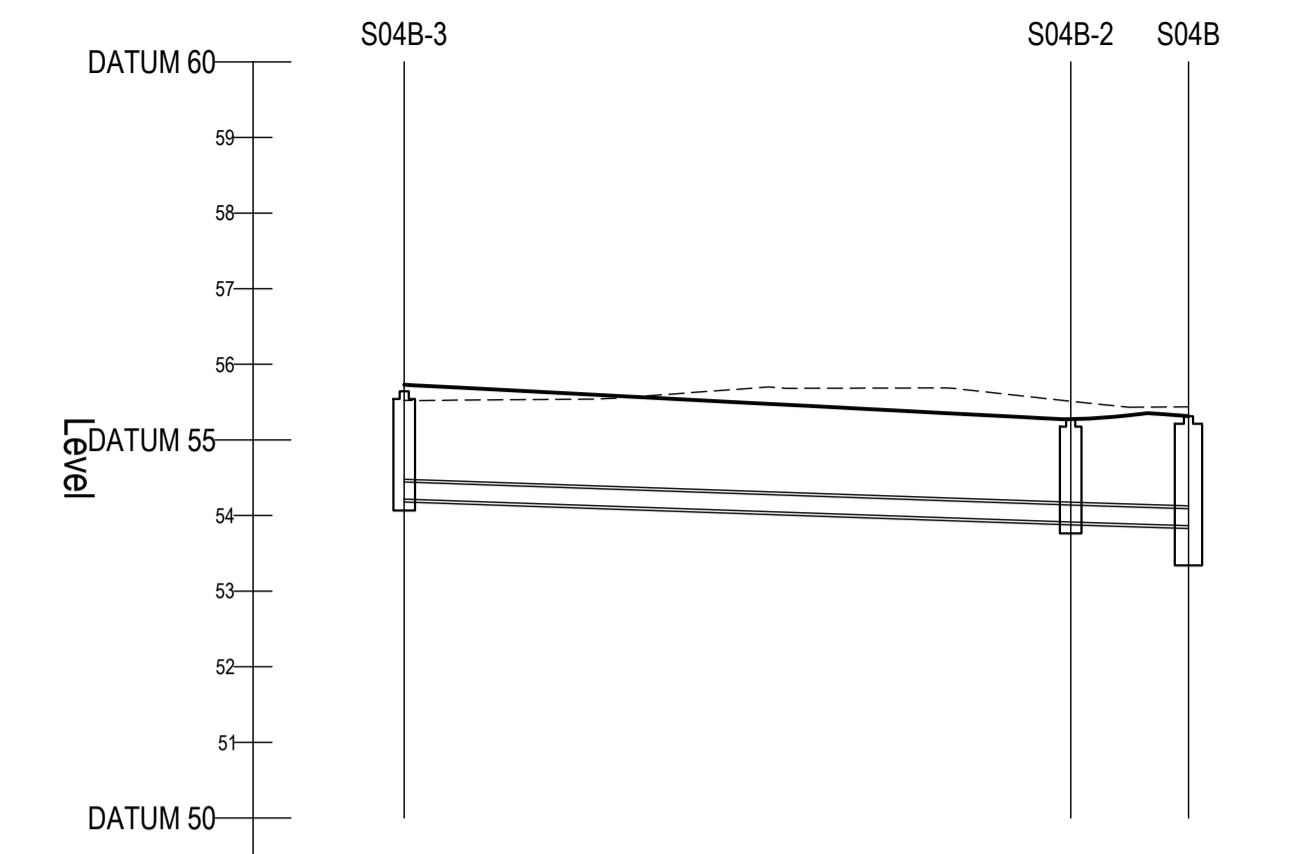
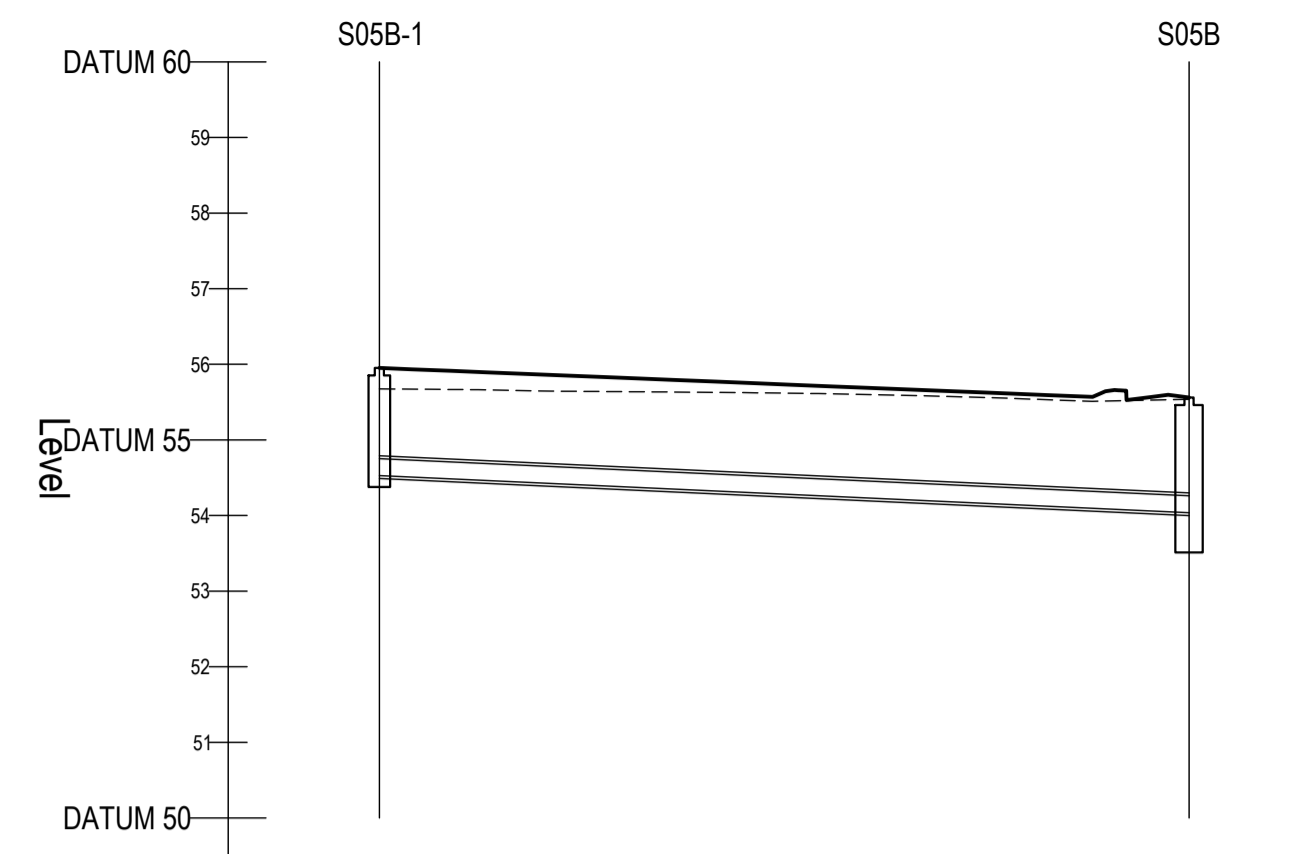
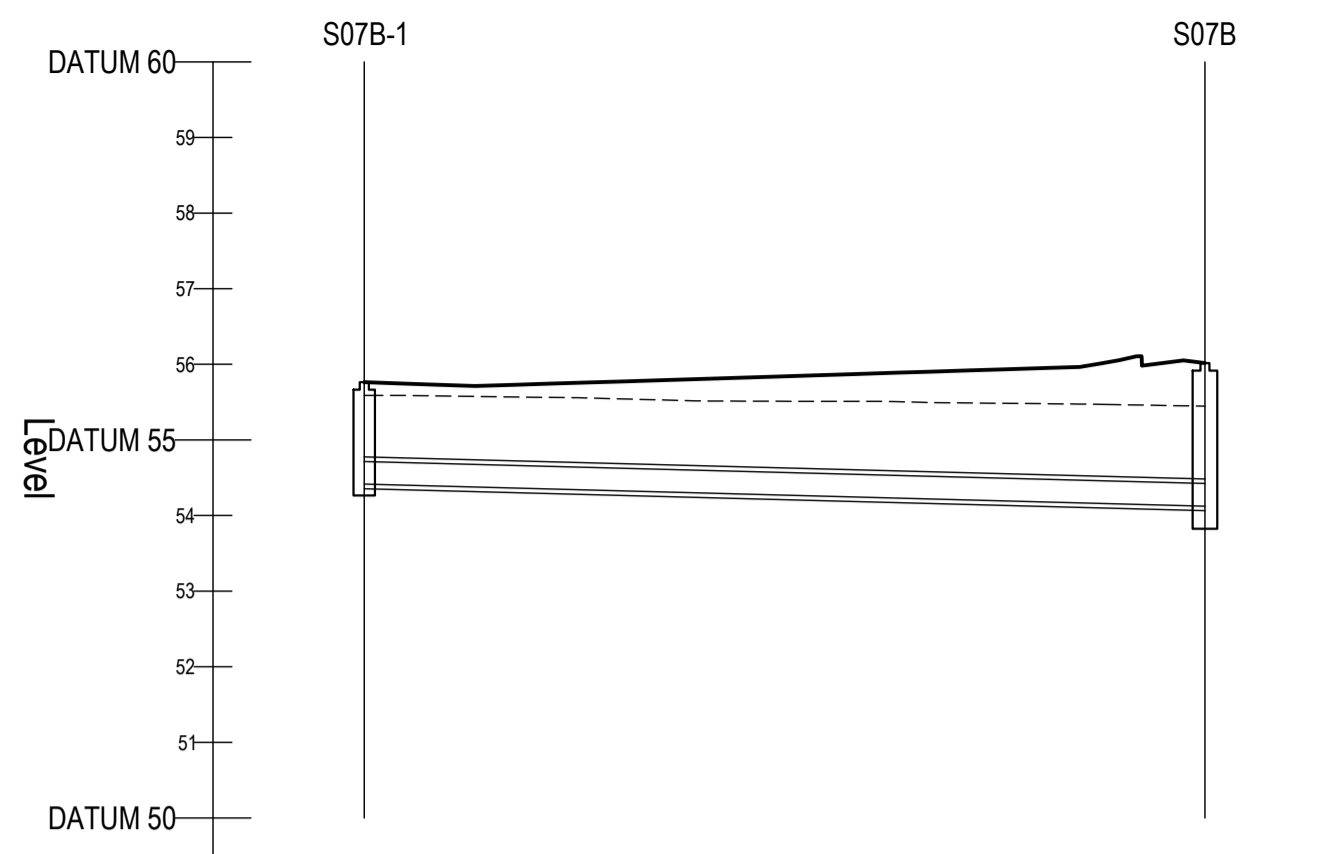


SCALE: H 1:500,V 1:100. DATUM: 50.000

SCALE: H 1:500,V 1:100. DATUM: 50.000

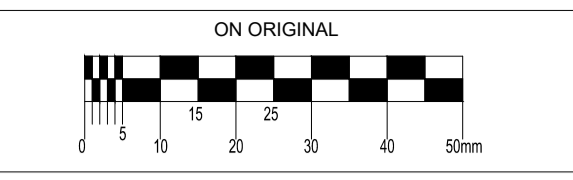
SCALE: H 1:500,V 1:100. DATUM: 50.000



COVER LEVEL		55.765		56.016
INVERT LEVEL		54.415		54.124
DEPTH (m)		1.350		2.042
DISTANCE (m)			55.60	
PIPE SLOPE			1:191	
PIPE SIZE			300mm	

COVER LEVEL		55.982		55.861
INVERT LEVEL		54.527		54.037
DEPTH (m)		1.425		1.899
DISTANCE (m)			53.55	
PIPE SLOPE			1:109	
PIPE SIZE			225mm	

COVER LEVEL		55.642		55.275	55.313
INVERT LEVEL		54.217		53.813	53.913
DEPTH (m)		1.425		1.362	1.823
DISTANCE (m)			44.08		7.79
PIPE SLOPE			1:145		1:162
PIPE SIZE			225mm		225mm



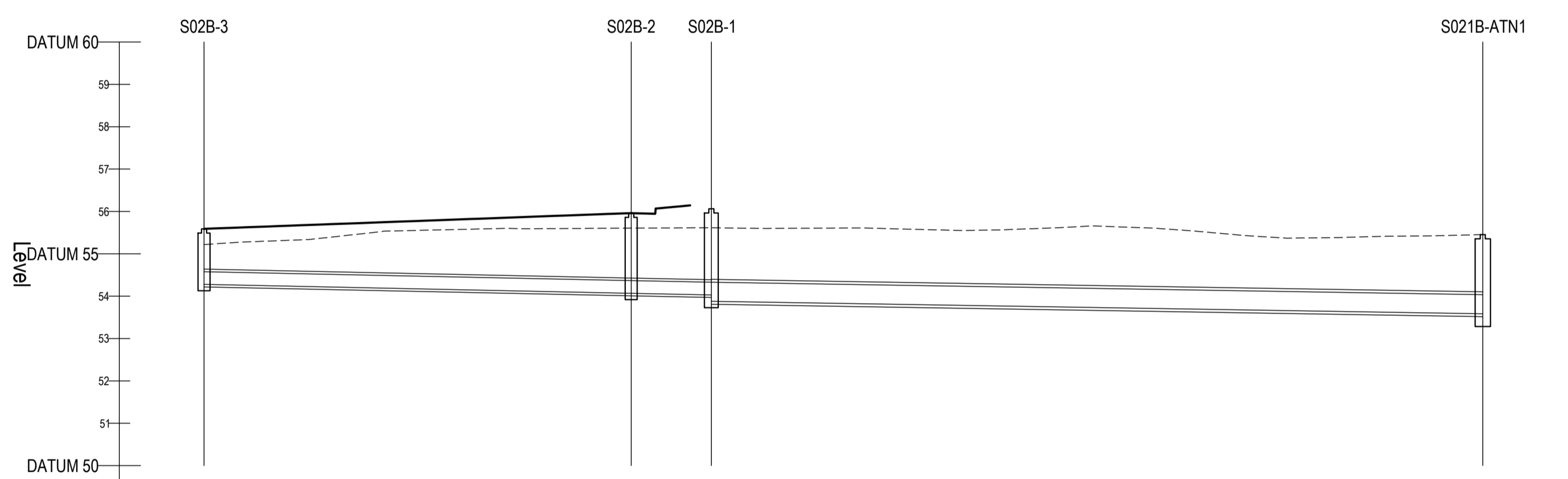
© COPYRIGHT OF THIS DRAWING IS RESERVED BY DBFL CONSULTING ENGINEERS. NO PART SHALL BE REPRODUCED OR TRANSMITTED WITHOUT THEIR WRITTEN PERMISSION.
NO CHANGES OF WHATSOEVER NATURE ARE TO BE MADE TO ANY DETAILS SET OUT OR CONTAINED IN ANY DBFL SPECIFICATIONS OR DRAWINGS UNLESS THE EXPRESS CONSENT HAS BEEN OBTAINED IN ADVANCE, IN WRITING, FROM DBFL.

- NOTES:
1. ALL DRAWINGS TO BE CHECKED BY CONTRACTOR ON SITE AND ENGINEER INFORMED OF DISCREPANCIES BEFORE WORK COMMENCES
 2. ALL LEVELS ARE IN METRES AND ARE RELATED TO ORDNANCE DATUM
 3. CONTRACTOR SHALL SATISFY HIMSELF AS TO THE ACCURACY OF PAVEMENT LEVELS ON SITE PRIOR TO COMMENCEMENT OF WORKS ON SITE
 4. ALL WORKS TO BE CONSTRUCTED IN ACCORDANCE WITH THE NRA SPECIFICATION FOR ROAD WORKS UNLESS NOTED OTHERWISE
 5. THIS DRAWING IS FOR PLANNING PURPOSES ONLY
 6. MANHOLE COVER LEVELS ARE TO CONFORM WITH FINISHED ROAD AND PATH LEVELS
 7. WHERE COVER TO PIPE IS LESS THAN 100mm (ROAD/PATH/VERGE) OR 900mm (OPEN SPACE) SURROUND PIPE IN MINIMUM 150mm CONCRETE

KEY

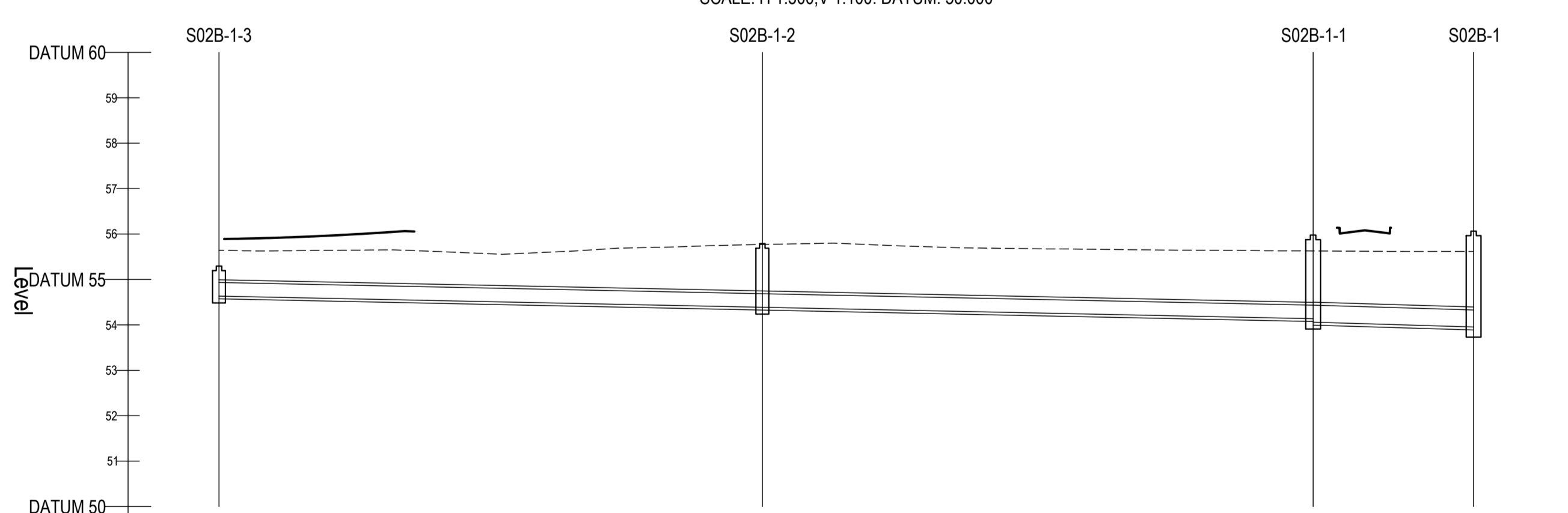
----- EXISTING GROUND PROFILE
 _____ PROPOSED GROUND PROFILE

SCALE: H 1:500,V 1:100. DATUM: 50.000



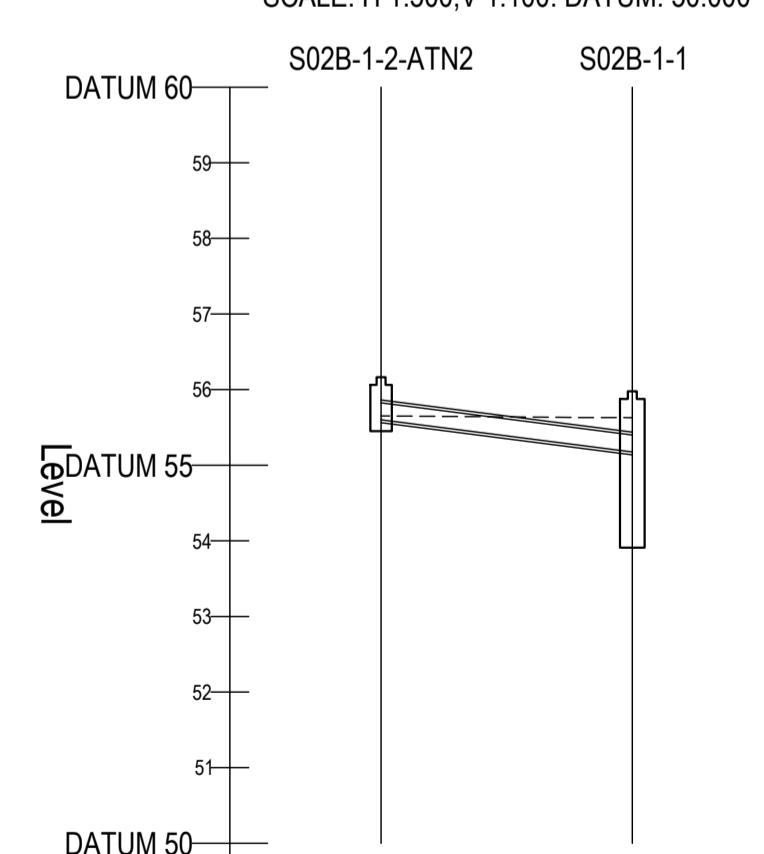
COVER LEVEL		55.590		55.959		56.054		54.454
INVERT LEVEL		54.278		54.068	54.068	54.529	53.979	53.595
DEPTH (m)		1.312		1.891		2.185		2.019
DISTANCE (m)			50.43		9.46		91.08	
PIPE SLOPE			1:240		1:243		1:310	
PIPE SIZE			300mm		300mm		450mm	

SCALE: H 1:500,V 1:100. DATUM: 50.000



COVER LEVEL		55.294		55.788		55.976		56.064
INVERT LEVEL		54.634		54.397	54.397	54.135	54.060	53.954
DEPTH (m)		0.660		1.401		1.916		2.185
DISTANCE (m)			59.77		60.59		17.66	
PIPE SLOPE			1:242		1:240		1:167	
PIPE SIZE			300mm		300mm		375mm	

SCALE: H 1:500,V 1:100. DATUM: 50.000



COVER LEVEL		56.162		55.976
INVERT LEVEL		55.600		55.174
DEPTH (m)		0.563		1.916
DISTANCE (m)			16.62	
PIPE SLOPE			1:39	
PIPE SIZE			225mm	

P01	09-06-22	PLANNING SUBMISSION	DKE	NOH
rev	date	description	by	chkd.
		A - Approved		
		B - Approved with comments		
		C - Do not use		

suitability S4 - STAGE APPROVAL issue purpose PLANNING

DBFL Consulting Engineers
 Civil, Structural & Transportation Engineering
 www.dbfl.ie

DUBLIN OFFICE: Ormond House, Upper Ormond Quay, Dublin 7, D07 W704
 PHONE +353 1 436 4000
 CORK OFFICE: 14 South Mall, Cork, T12 CT91
 PHONE +353 21 2024538
 WATERFORD OFFICE: Suite 10 The Arkun, Maritime Gate, Canada Street, Waterford, X91 W028
 PHONE +353 51 309 500

project ref. **BALLYOULSTER KDA SHD - PHASE 1 RESIDENTIAL DEVELOPMENT**

drawing title **STORM WATER NETWORK LONGSECTION - SHEET 2**

client **KIERAN CURTIN, RECEIVER OVER CERTAIN ASSETS OF MAPLEWOOD DEVELOPMENTS UNLIMITED COMPANY**

designed by GIS author GIS scale AS NOTED sheet size A1
 drawing no. 180221-DBFL-SW-SP-M2-C-3002 revision P01