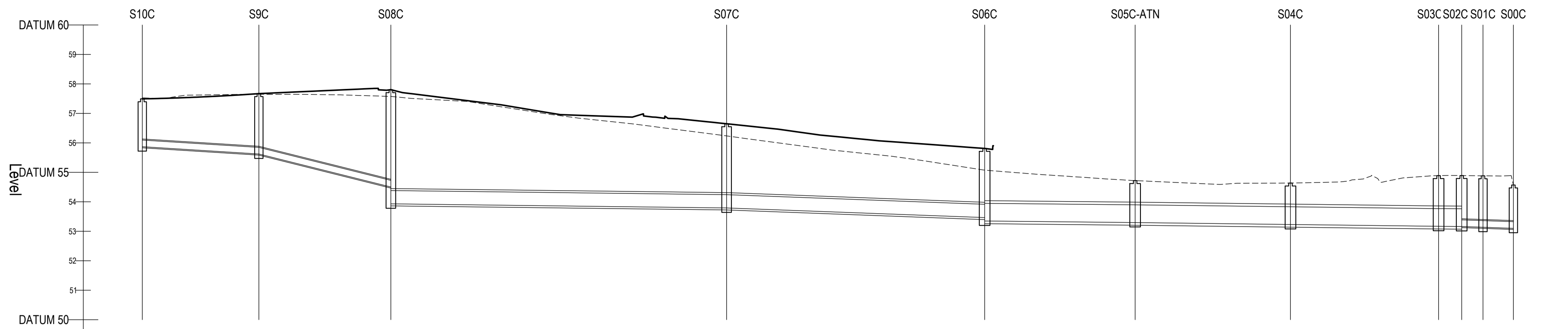
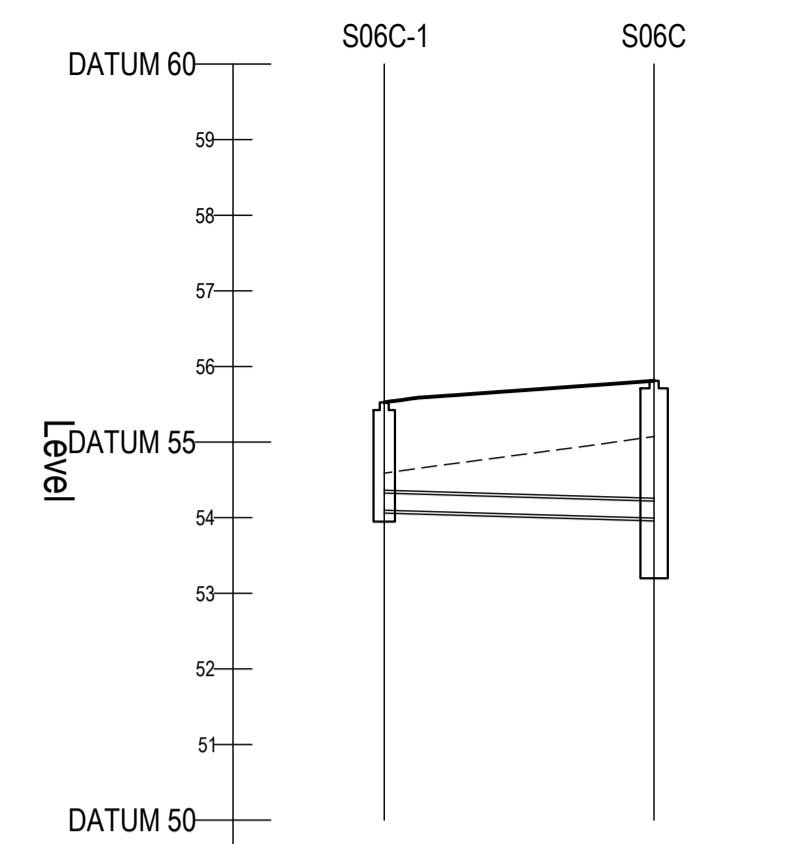


SCALE: H 1:500,V 1:100. DATUM: 50.000



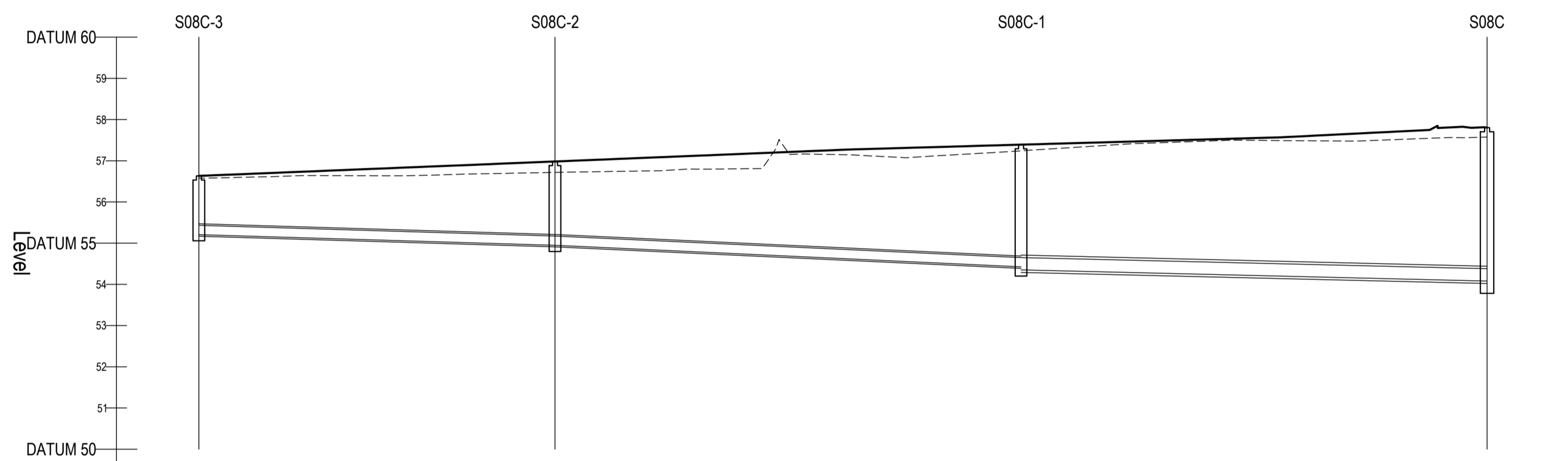
COVER LEVEL																																
INVERT LEVEL		55.889	55.622	55.622	54.503	53.931	57.864				53.465	53.348	55.811			53.227	53.227	54.720			53.221	53.231	54.626	53.168	53.168	53.168	53.163	54.860	53.127	54.862	53.100	54.570
DEPTH (m)		1.625	2.048		3.873		56.648				2.856	2.463	55.811			1.423	1.423	26.34			1.405		1.720	1.727	1.745	1.745	1.745	1.745	1.745	1.470		
DISTANCE (m)			19.77	22.38			56.93				43.76		25.52			26.34		25.12					3.92	3.61	5.15							
PIPE SLOPE			1:80		1:20		1:410				1:134		1:500			1:399		1:399					1:784	1:139	1:139							
PIPE SIZE			225mm		225mm		450mm				450mm		600mm			600mm		600mm					600mm	225mm	225mm							

SCALE: H 1:500,V 1:100. DATUM: 50.000



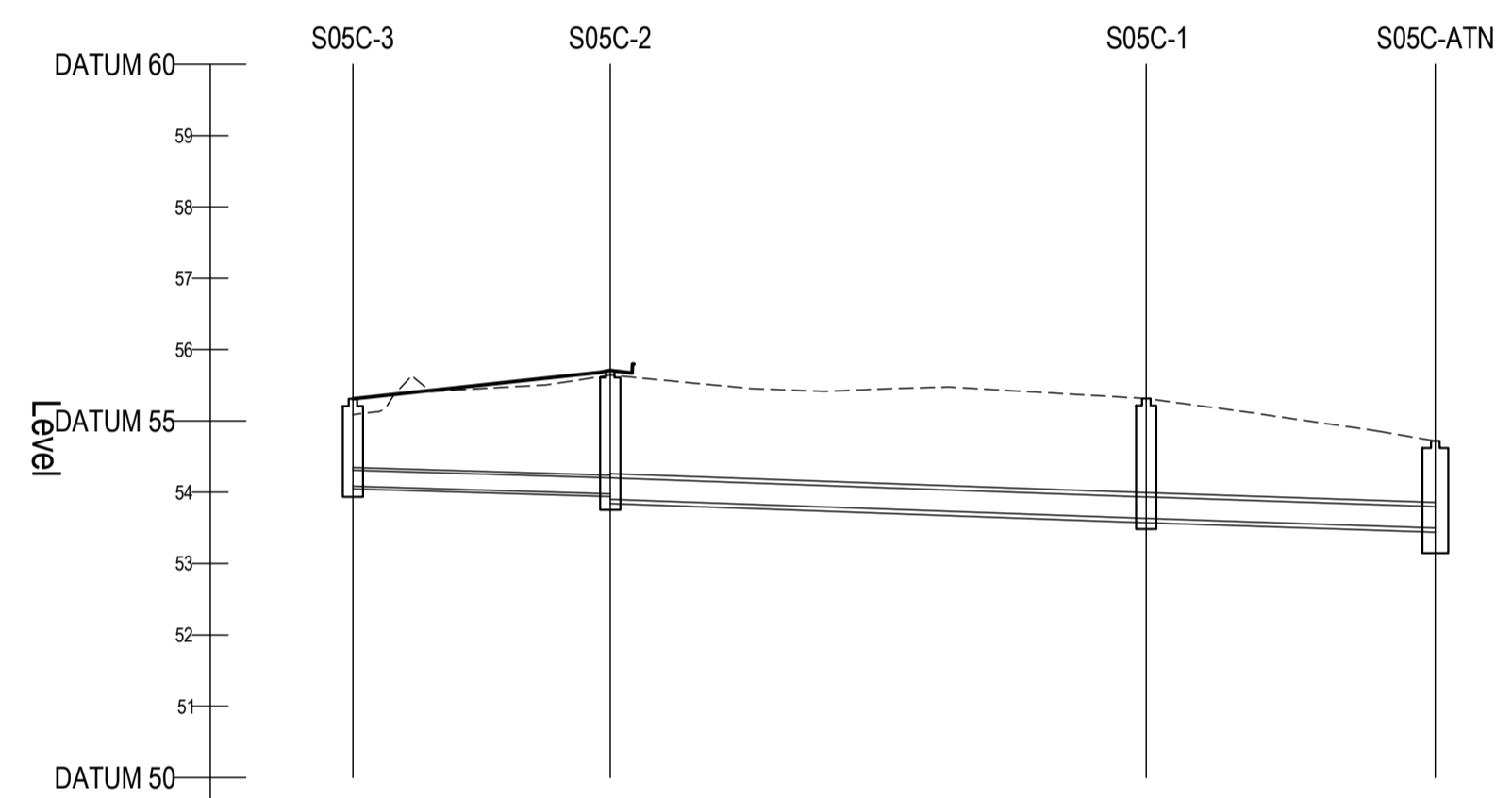
COVER LEVEL			
INVERT LEVEL		55.524	55.811
DEPTH (m)		1.425	2.463
DISTANCE (m)			17.85
PIPE SLOPE			1:170
PIPE SIZE			225mm

SCALE: H 1:500,V 1:100. DATUM: 50.000



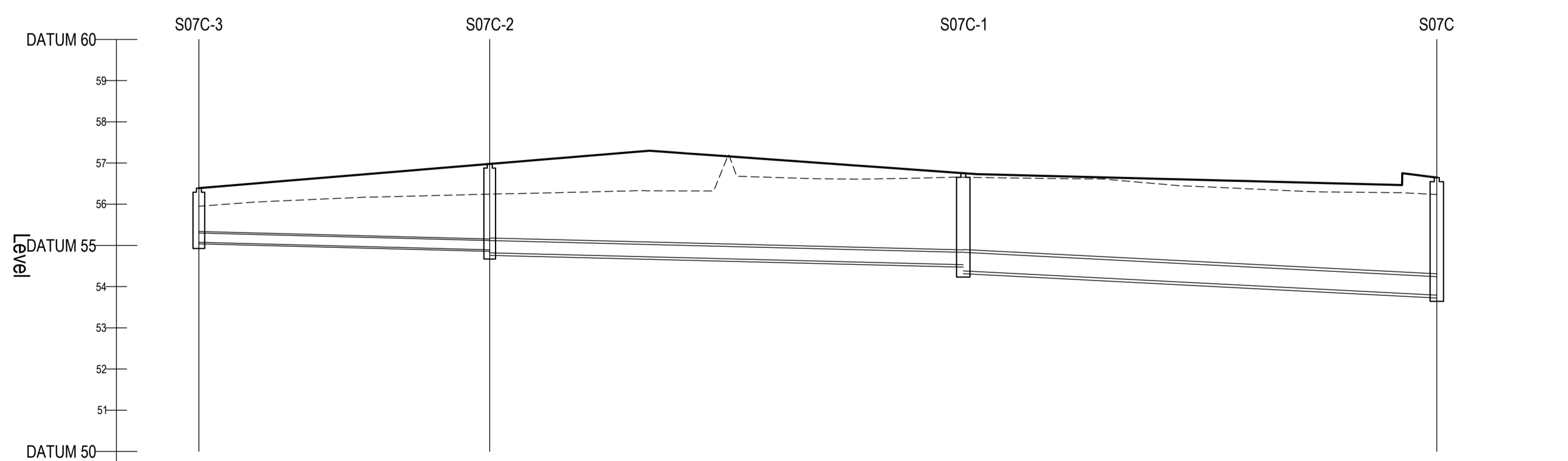
COVER LEVEL					
INVERT LEVEL		55.207	54.425	54.948	57.864
DEPTH (m)		1.425	2.034		3.041
DISTANCE (m)			43.20		56.53
PIPE SLOPE			1:167		1:108
PIPE SIZE			225mm		300mm

SCALE: H 1:500,V 1:100. DATUM: 50.000



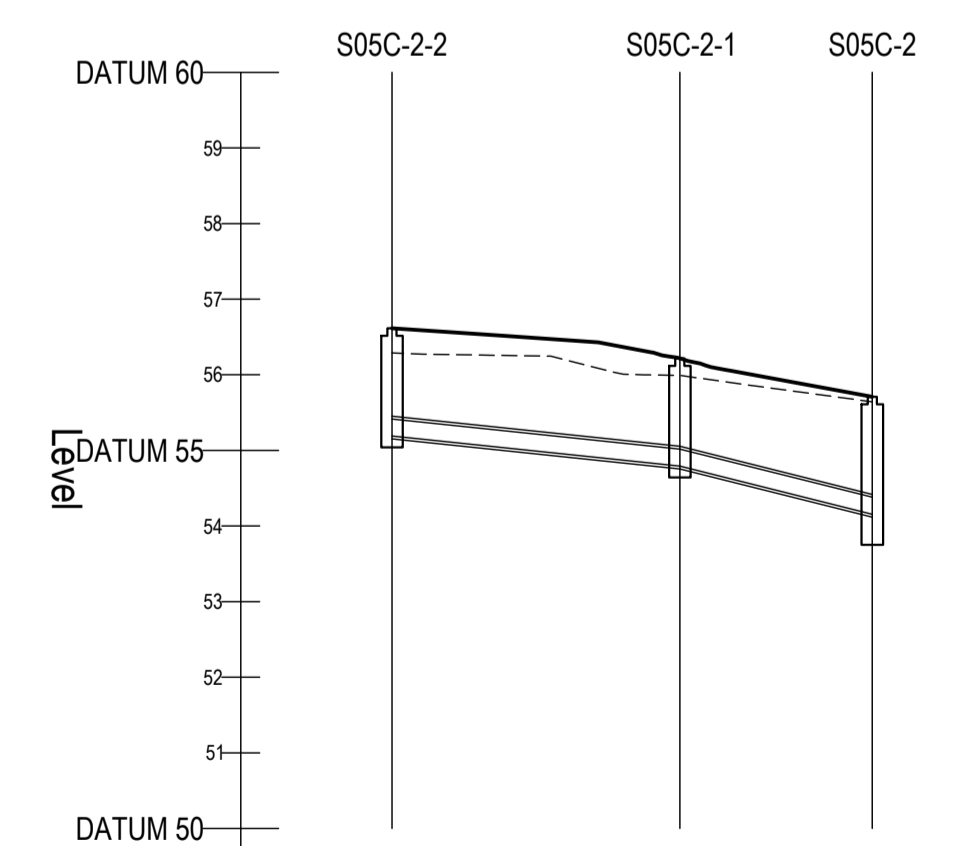
COVER LEVEL					
INVERT LEVEL		55.309	53.976	53.901	55.709
DEPTH (m)		1.225	1.808		1.423
DISTANCE (m)			18.04		37.58
PIPE SLOPE			1:167		1:140
PIPE SIZE			225mm		300mm

SCALE: H 1:500,V 1:100. DATUM: 50.000



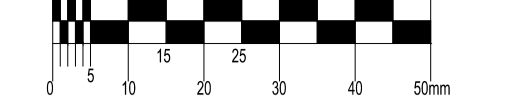
COVER LEVEL					
INVERT LEVEL		55.391	54.884	54.819	53.792
DEPTH (m)		1.316	2.159		2.856
DISTANCE (m)			35.28		57.44
PIPE SLOPE			1:195		1:200
PIPE SIZE			225mm		300mm

SCALE: H 1:500,V 1:100. DATUM: 50.000



COVER LEVEL				
INVERT LEVEL		55.675	54.792	54.156
DEPTH (m)		1.425	1.425	1.808
DISTANCE (m)			19.04	12.73
PIPE SLOPE			1:48	1:20
PIPE SIZE			225mm	225mm

ON ORIGINAL



© COPYRIGHT OF THIS DRAWING IS RESERVED BY DBFL CONSULTING ENGINEERS. NO PART SHALL BE REPRODUCED OR TRANSMITTED WITHOUT THEIR WRITTEN PERMISSION.
 NO CHANGES OF WHATSOEVER NATURE ARE TO BE MADE TO ANY DETAILS SET OUT OR CONTAINED IN ANY DBFL SPECIFICATIONS OR DRAWINGS UNLESS THE EXPRESS CONSENT HAS BEEN OBTAINED IN ADVANCE, IN WRITING, FROM DBFL.

- NOTES:
- ALL DRAWINGS TO BE CHECKED BY CONTRACTOR ON SITE AND ENGINEER INFORMED OF DISCREPANCIES BEFORE WORK COMMENCES
 - ALL LEVELS ARE IN METRES AND ARE RELATED TO ORDINANCE DATUM
 - CONTRACTOR SHALL SATISFY HIMSELF AS TO THE ACCURACY OF PAVEMENT LEVELS ON SITE PRIOR TO COMMENCEMENT OF WORKS ON SITE
 - ALL WORKS TO BE CONSTRUCTED IN ACCORDANCE WITH THE NRA SPECIFICATION FOR ROAD WORKS UNLESS NOTED OTHERWISE
 - THIS DRAWING IS FOR PLANNING PURPOSES ONLY
 - MANHOLE COVER LEVELS ARE TO CONFORM WITH FINISHED ROAD AND PATH LEVELS
 - WHERE COVER TO PIPE IS LESS THAN 100mm (ROAD/PATH/VERGE) OR 900mm (OPEN SPACE) SURROUND PIPE IN MINIMUM 150mm CONCRETE

KEY
 - - - - - EXISTING GROUND PROFILE
 _____ PROPOSED GROUND PROFILE

P01	09-06-22	ISSUED FOR PLANNING SUBMISSION	DKE	NOH
rev	date	description	by	chkd.
		A - Approved		
		B - Approved with comments		
		C - Do not use		

client approval
 suitability S4 - STAGE APPROVAL issue purpose PLANNING

DBFL Consulting Engineers
 Civil, Structural & Transportation Engineering
 www.dbfl.ie

DUBLIN OFFICE: Ormond House, Upper Ormond Quay, Dublin 7, D07 W704
 PHONE: +353 1 456 4000
 CORK OFFICE: 14 South Mall, Cork, T12 CT91
 PHONE: +353 21 2024538
 WATERFORD OFFICE: Suite 10 The Atrium, Maritime Gate, Canada Street, Waterford, X91 W028
 PHONE: +353 51 309 500

project ref.
**BALLYOULSTER KDA SHD - PHASE 1
 RESIDENTIAL DEVELOPMENT**
 drawing title
**STORM WATER NETWORK
 LONGSECTION - SHEET 3**

client: **KIERAN CURTIN, RECEIVER OVER
 CERTAIN ASSETS OF MAPLEWOOD
 DEVELOPMENTS UNLIMITED
 COMPANY**

designed by: GIS author: GIS scale: AS NOTED sheet size: A1
 drawing no.: 180221-DBFL-SW-SP-M2-C-3003 revision: P01