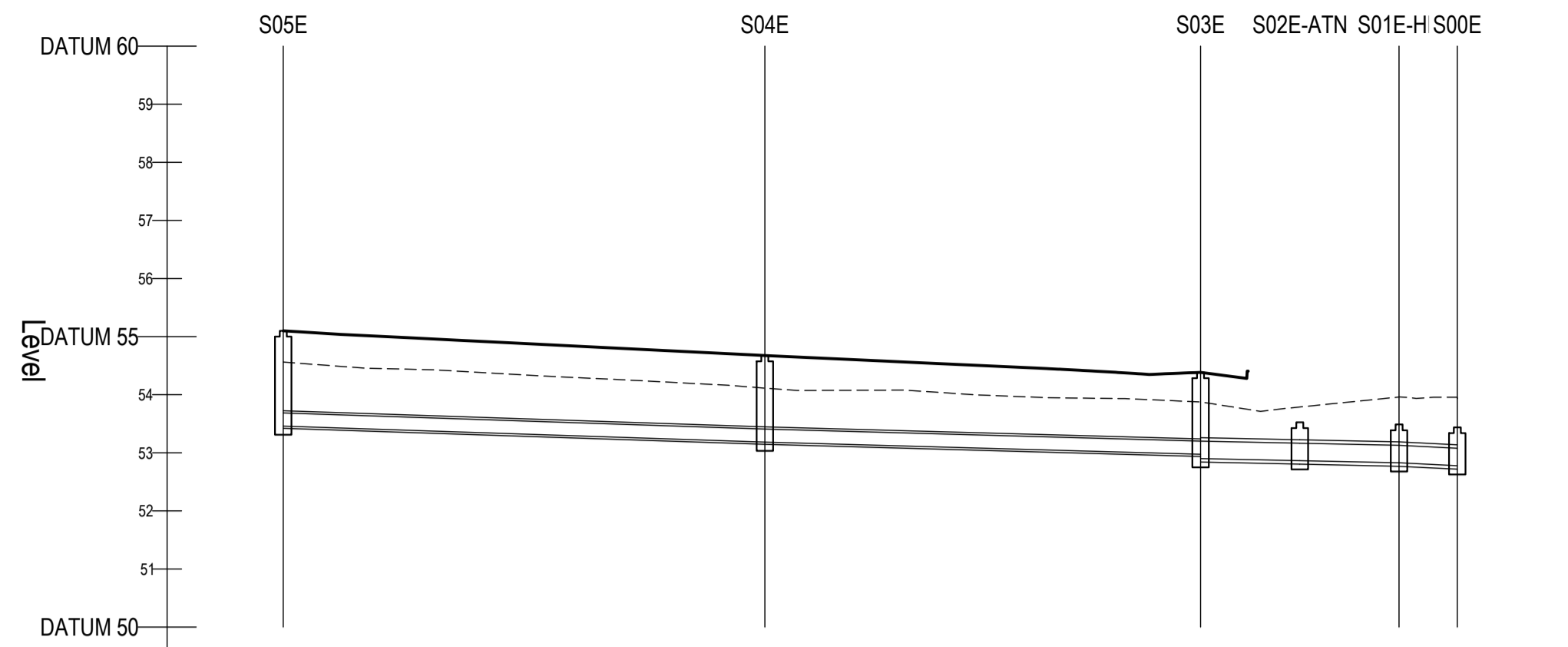
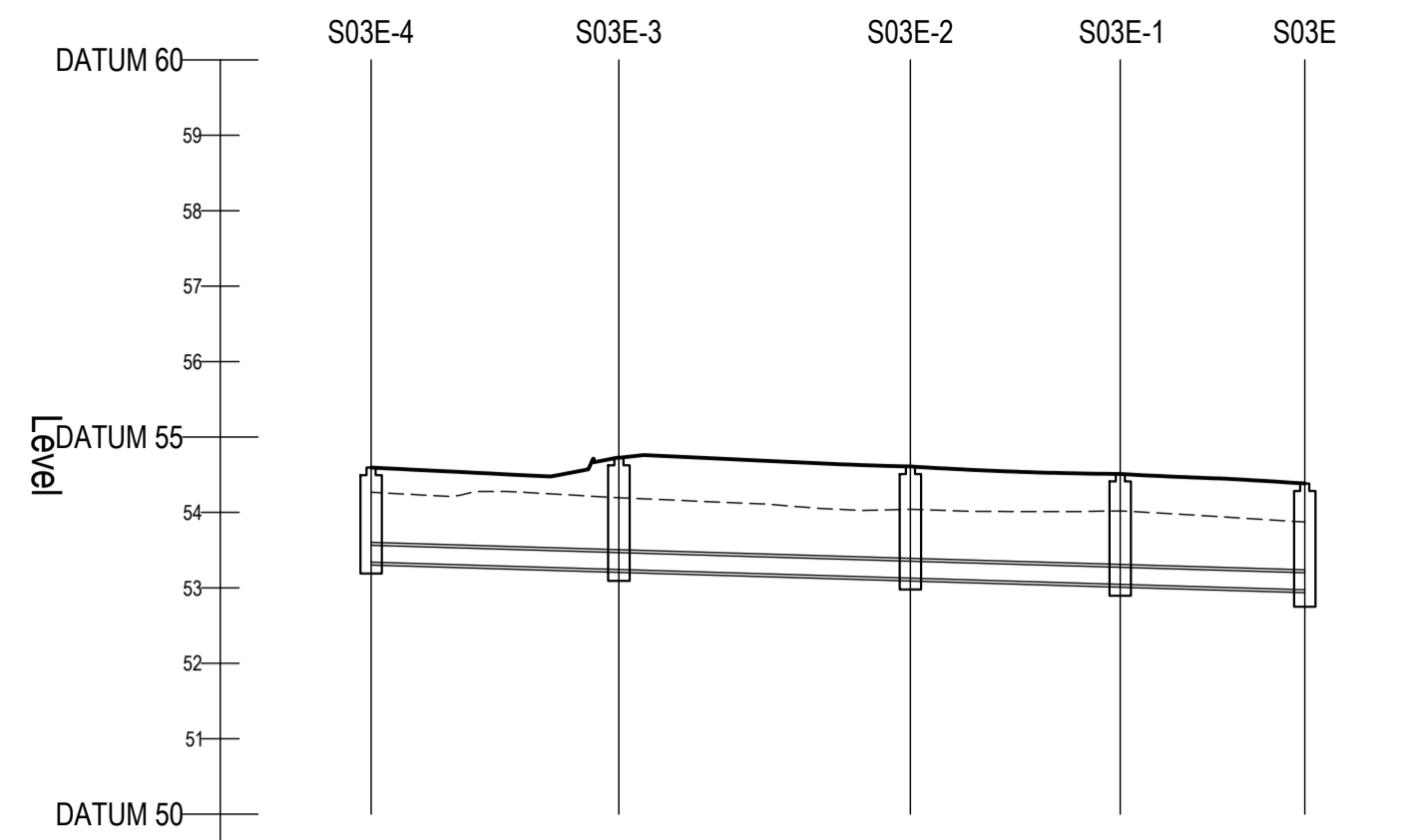


SCALE: H 1:500,V 1:100. DATUM: 50.000



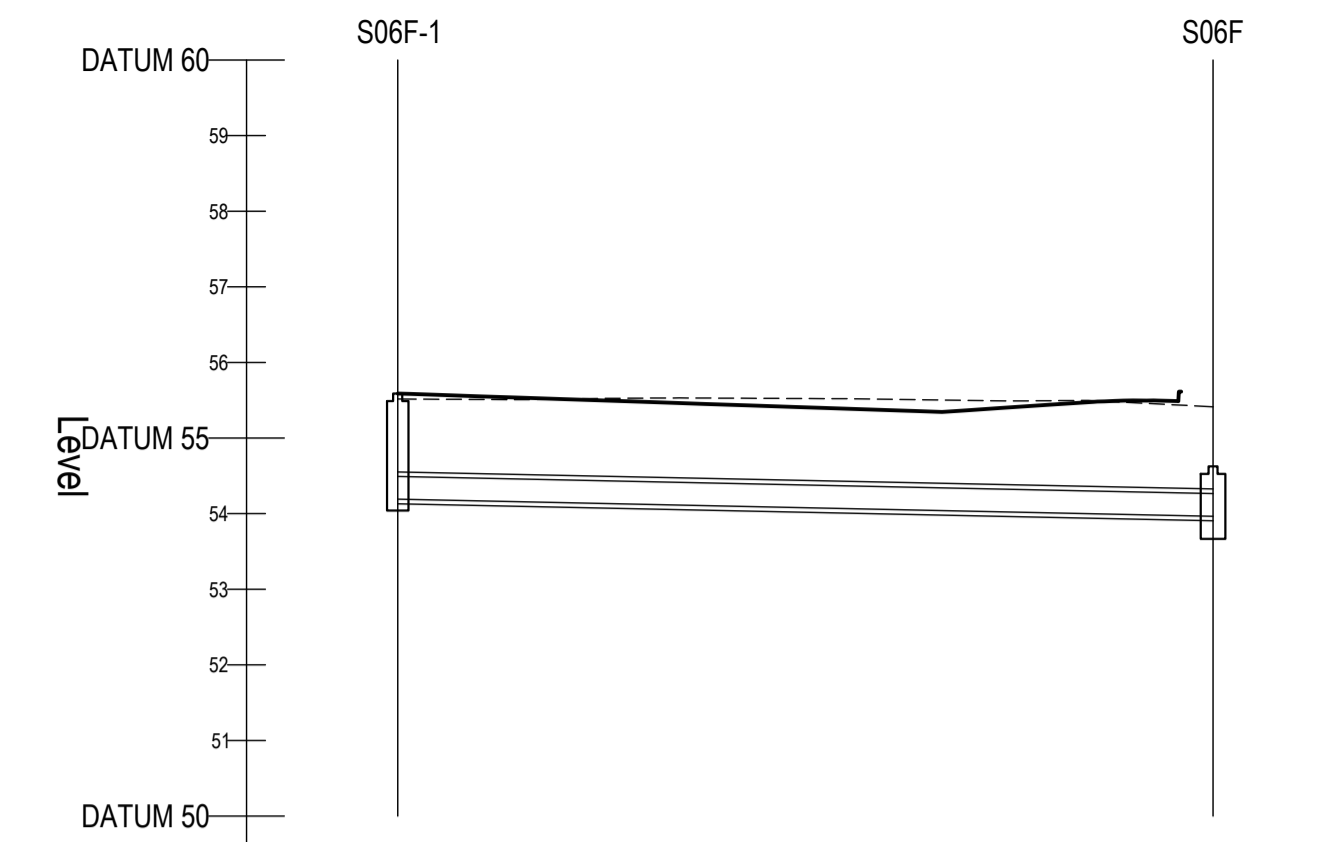
|              |        |        |        |        |        |        |
|--------------|--------|--------|--------|--------|--------|--------|
| COVER LEVEL  | 55.100 | 54.674 | 54.384 | 53.524 | 53.468 | 53.438 |
| INVERT LEVEL | 53.460 | 53.183 | 52.975 | 52.864 | 52.828 | 52.778 |
| DEPTH (m)    | 1.640  | 1.491  | 1.484  | 0.660  | 0.660  | 0.660  |
| DISTANCE (m) |        | 41.48  | 37.53  | 8.55   | 8.55   | 5.02   |
| PIPE SLOPE   |        | 1:150  | 1:180  | 1:240  | 1:237  | 1:100  |
| PIPE SIZE    |        | 225mm  | 225mm  | 300mm  | 300mm  | 300mm  |

SCALE: H 1:500,V 1:100. DATUM: 50.000

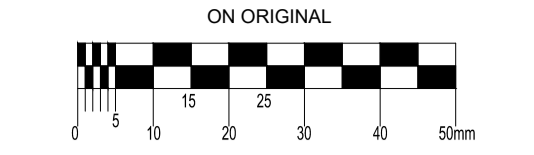


|              |        |        |        |        |        |
|--------------|--------|--------|--------|--------|--------|
| COVER LEVEL  | 54.956 | 54.725 | 54.610 | 54.511 | 54.384 |
| INVERT LEVEL | 53.340 | 53.243 | 53.129 | 53.047 | 52.975 |
| DEPTH (m)    | 1.256  | 1.482  | 1.481  | 1.464  | 1.484  |
| DISTANCE (m) |        | 16.42  | 19.32  | 13.91  | 12.23  |
| PIPE SLOPE   |        | 1:169  | 1:170  | 1:170  | 1:170  |
| PIPE SIZE    |        | 225mm  | 225mm  | 225mm  | 225mm  |

SCALE: H 1:500,V 1:100. DATUM: 50.000



|              |        |        |
|--------------|--------|--------|
| COVER LEVEL  | 55.889 | 54.826 |
| INVERT LEVEL | 54.191 | 53.966 |
| DEPTH (m)    | 1.388  | 0.810  |
| DISTANCE (m) |        | 53.92  |
| PIPE SLOPE   |        | 1:240  |
| PIPE SIZE    |        | 300mm  |



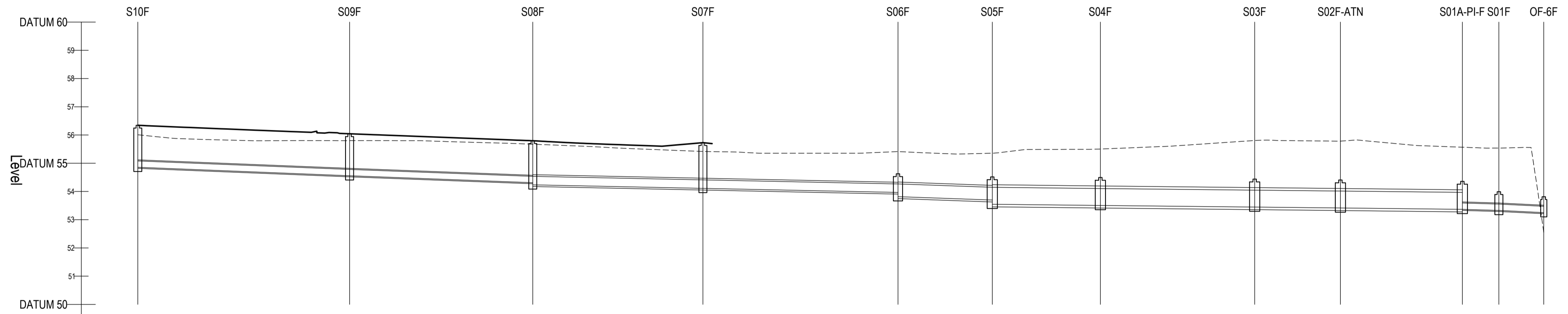
© COPYRIGHT OF THIS DRAWING IS RESERVED BY DBFL CONSULTING ENGINEERS. NO PART SHALL BE REPRODUCED OR TRANSMITTED WITHOUT THEIR WRITTEN PERMISSION.

NO CHANGES OF WHATSOEVER NATURE ARE TO BE MADE TO ANY DETAILS SET OUT OR CONTAINED IN ANY DBFL SPECIFICATIONS OR DRAWINGS UNLESS THE EXPRESS CONSENT HAS BEEN OBTAINED IN ADVANCE, IN WRITING, FROM DBFL.

- NOTES:
1. ALL DRAWINGS TO BE CHECKED BY CONTRACTOR ON SITE AND ENGINEER INFORMED OF DISCREPANCIES BEFORE WORK COMMENCES
  2. ALL LEVELS ARE IN METRES AND ARE RELATED TO ORDNANCE DATUM
  3. CONTRACTOR SHALL SATISFY HIMSELF AS TO THE ACCURACY OF PAVEMENT LEVELS ON SITE PRIOR TO COMMENCEMENT OF WORKS ON SITE
  4. ALL WORKS TO BE CONSTRUCTED IN ACCORDANCE WITH THE NRA SPECIFICATION FOR ROAD WORKS UNLESS NOTED OTHERWISE
  5. THIS DRAWING IS FOR PLANNING PURPOSES ONLY
  6. MANHOLE COVER LEVELS ARE TO CONFORM WITH FINISHED ROAD AND PATH LEVELS
  7. WHERE COVER TO PIPE IS LESS THAN 150mm (ROAD/PATH/VERGE) OR 900mm (OPEN SPACE) SURROUND PIPE IN MINIMUM 150mm CONCRETE

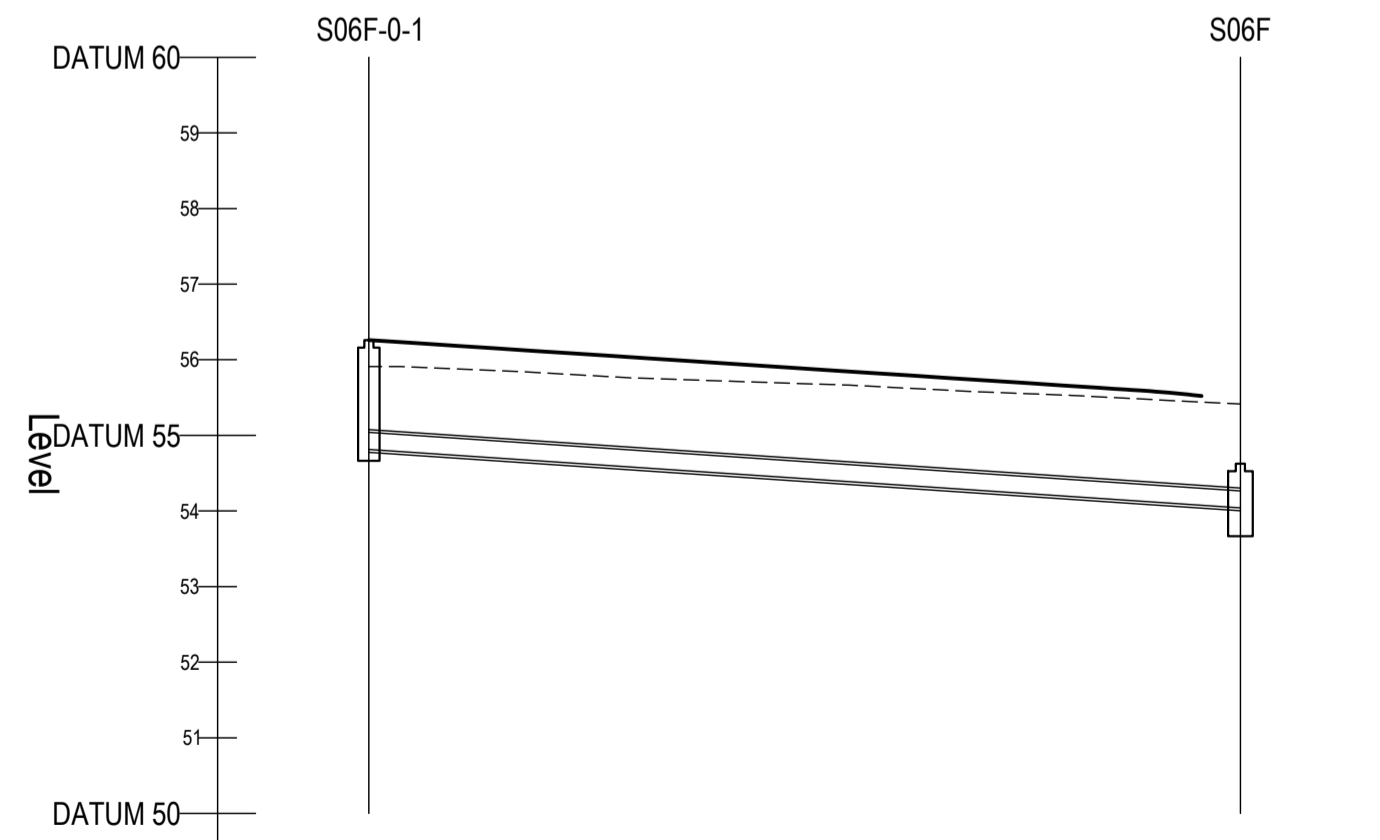
KEY  
 - - - - - EXISTING GROUND PROFILE  
 \_\_\_\_\_ PROPOSED GROUND PROFILE

SCALE: H 1:500,V 1:100. DATUM: 50.000



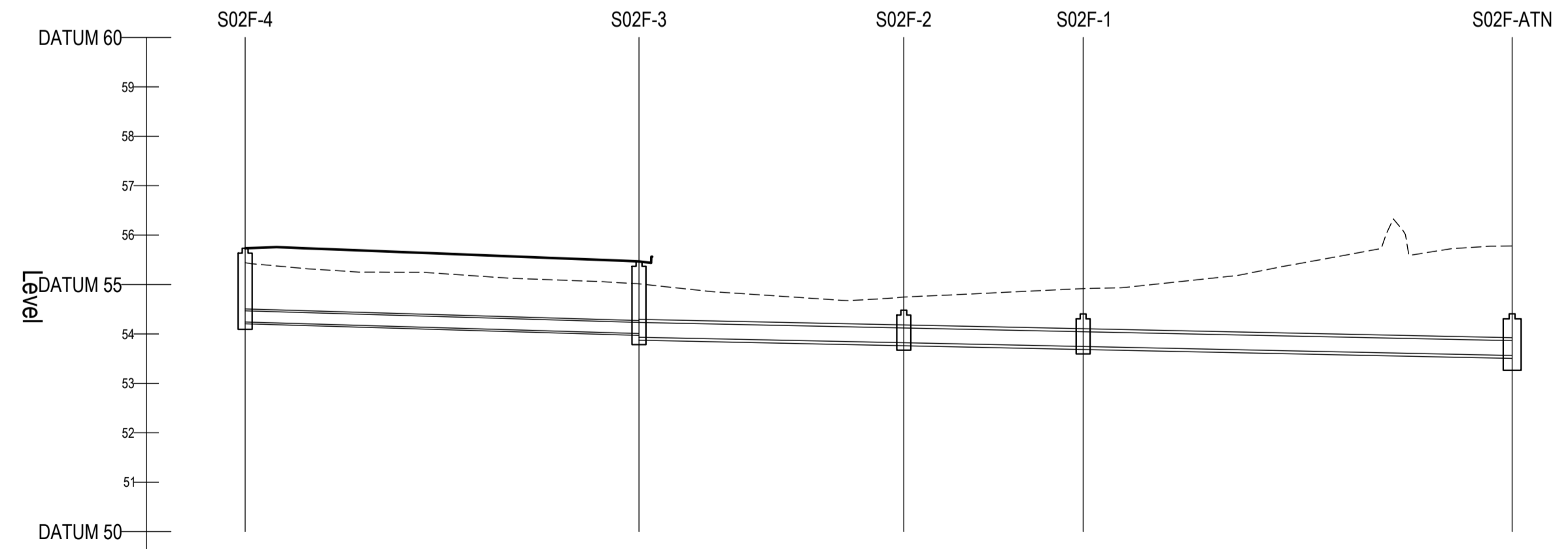
|              |        |        |        |        |        |        |        |        |        |        |        |        |
|--------------|--------|--------|--------|--------|--------|--------|--------|--------|--------|--------|--------|--------|
| COVER LEVEL  | 55.345 | 56.044 | 55.798 | 55.728 | 54.826 | 54.516 | 54.465 | 54.438 | 54.406 | 54.358 | 53.992 | 53.913 |
| INVERT LEVEL | 54.857 | 54.556 | 54.310 | 54.235 | 53.986 | 53.897 | 53.824 | 53.847 | 53.447 | 53.415 | 53.367 | 53.250 |
| DEPTH (m)    | 1.488  | 1.488  | 1.483  | 1.493  | 0.810  | 0.699  | 0.691  | 0.691  | 0.991  | 0.991  | 0.991  | 0.663  |
| DISTANCE (m) |        | 37.49  | 32.43  | 30.12  | 34.53  | 16.70  | 19.13  | 27.32  | 15.17  | 21.59  | 6.47   | 7.95   |
| PIPE SLOPE   |        | 1:125  | 1:132  | 1:241  | 1:240  | 1:140  | 1:445  | 1:479  | 1:480  | 1:450  | 1:170  | 1:101  |
| PIPE SIZE    |        | 225mm  | 225mm  | 300mm  | 300mm  | 450mm  | 600mm  | 600mm  | 600mm  | 600mm  | 225mm  | 225mm  |

SCALE: H 1:500,V 1:100. DATUM: 50.000



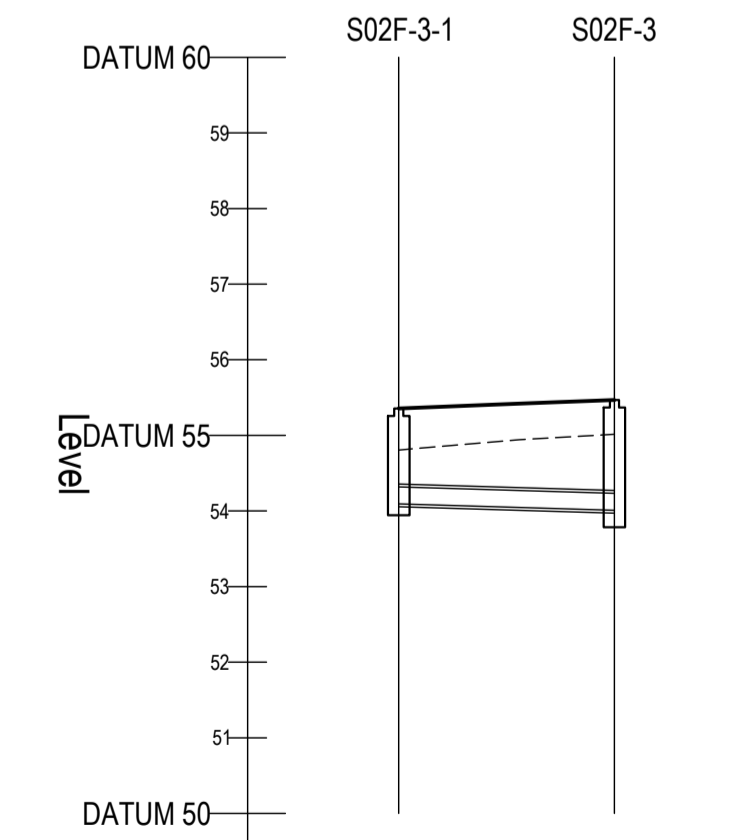
|              |        |        |
|--------------|--------|--------|
| COVER LEVEL  | 56.260 | 54.626 |
| INVERT LEVEL | 54.814 | 54.041 |
| DEPTH (m)    | 1.446  | 0.810  |
| DISTANCE (m) |        | 57.64  |
| PIPE SLOPE   |        | 1:75   |
| PIPE SIZE    |        | 225mm  |

SCALE: H 1:500,V 1:100. DATUM: 50.000



|              |        |        |        |        |
|--------------|--------|--------|--------|--------|
| COVER LEVEL  | 55.725 | 54.488 | 54.482 | 54.406 |
| INVERT LEVEL | 54.243 | 54.009 | 53.822 | 53.746 |
| DEPTH (m)    | 1.482  | 1.534  | 0.660  | 0.660  |
| DISTANCE (m) |        | 39.84  | 26.78  | 18.14  |
| PIPE SLOPE   |        | 1:170  | 1:239  | 1:239  |
| PIPE SIZE    |        | 225mm  | 300mm  | 300mm  |

SCALE: H 1:500,V 1:100. DATUM: 50.000



|              |        |        |
|--------------|--------|--------|
| COVER LEVEL  | 55.336 | 54.488 |
| INVERT LEVEL | 54.694 | 54.009 |
| DEPTH (m)    | 1.262  | 1.534  |
| DISTANCE (m) |        | 14.26  |
| PIPE SLOPE   |        | 1:168  |
| PIPE SIZE    |        | 225mm  |

|                 |                            |                     |     |       |
|-----------------|----------------------------|---------------------|-----|-------|
| P01             | 09-06-22                   | PLANNING SUBMISSION | DKE | NOH   |
| rev             | date                       | description         | by  | chkd. |
| client approval | A - Approved               |                     |     |       |
|                 | B - Approved with comments |                     |     |       |
|                 | C - Do not use             |                     |     |       |

suitability S4 - STAGE APPROVAL issue purpose PLANNING

**DBFL Consulting Engineers**  
 Civil, Structural & Transportation Engineering  
 www.dbfl.ie

DUBLIN OFFICE: Ormond House, Upper Ormond Quay, Dublin 7, D07 W704  
 PHONE: +353 1 450 4000  
 CORK OFFICE: 14 South Mall, Cork, T12 CT91  
 PHONE: +353 21 2024538  
 WATERFORD OFFICE: Suite 10 The Arkum, Maritime Gate, Canada Street, Waterford, X91 WQ28  
 PHONE: +353 51 309 500

project ref.  
**BALLYOULSTER KDA SHD - PHASE 1  
 RESIDENTIAL DEVELOPMENT**

drawing title  
**STORM WATER NETWORK  
 LONGSECTION - SHEET 5**

client **KIERAN CURTIN, RECEIVER OVER  
 CERTAIN ASSETS OF MAPLEWOOD  
 DEVELOPMENTS UNLIMITED  
 COMPANY**

|             |                             |          |              |
|-------------|-----------------------------|----------|--------------|
| designed by | author                      | scale    | sheet size   |
| GIS         | GIS                         | AS NOTED | A1           |
| drawing no. | 180221-DBFL-SW-SP-M2-C-3005 |          | revision P01 |